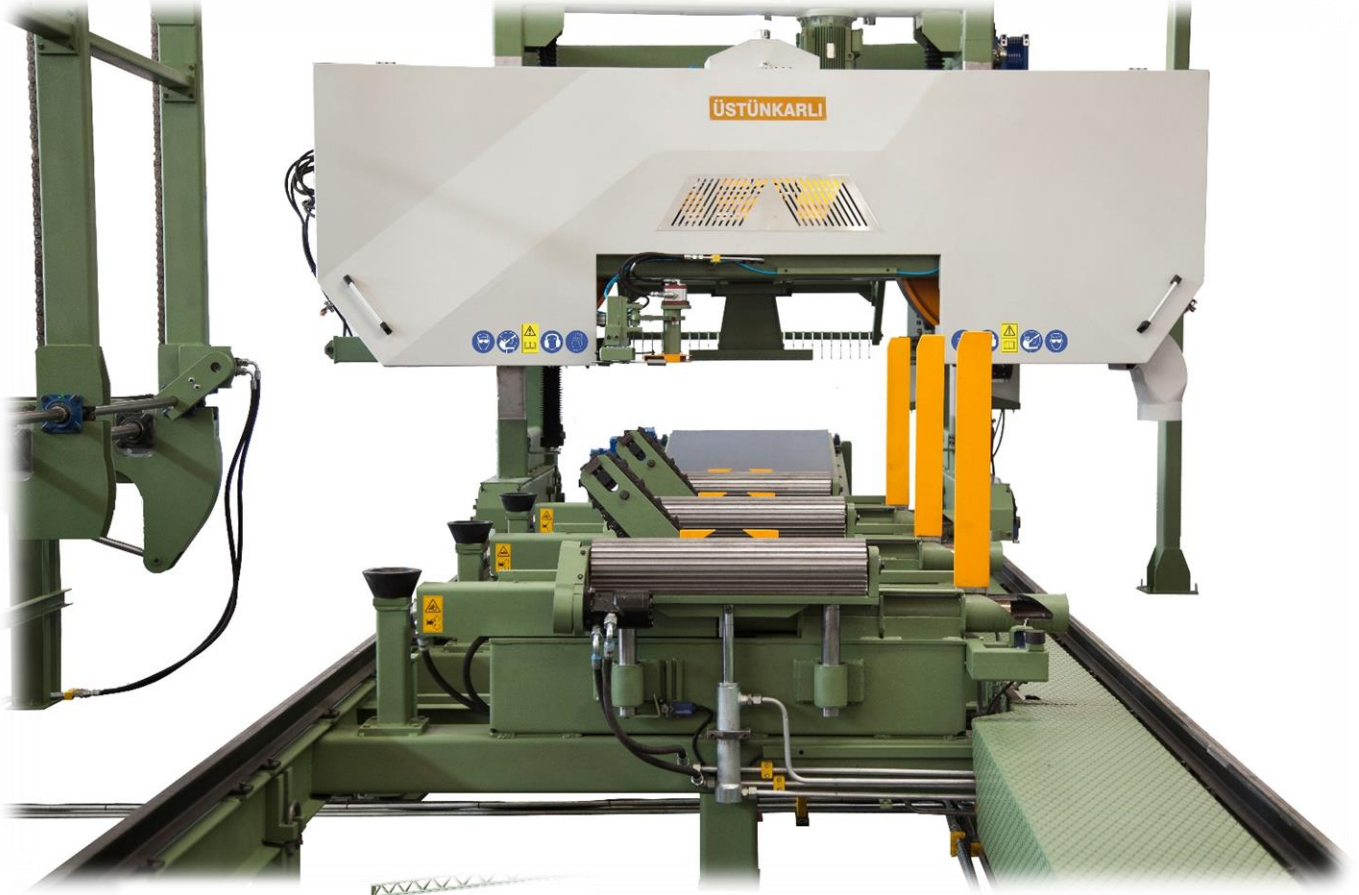


HORIZONTAL LOG BAND SAW UHYB_PLUS



- * Transversal conveyor + Loading system (Option)
- * Output Belt conveyor with hydraulic up down movement (Option)



HORIZONTAL LOG BAND SAW UHYB_PLUS
ERGONOMIC REMOTE CONTROL
OUTPUT BELT CONVEYOR



Horizontal Log Band Saw UHYB_PLUS

- * Horizontal heavy steel body
- * Special alloy hard casting wheels



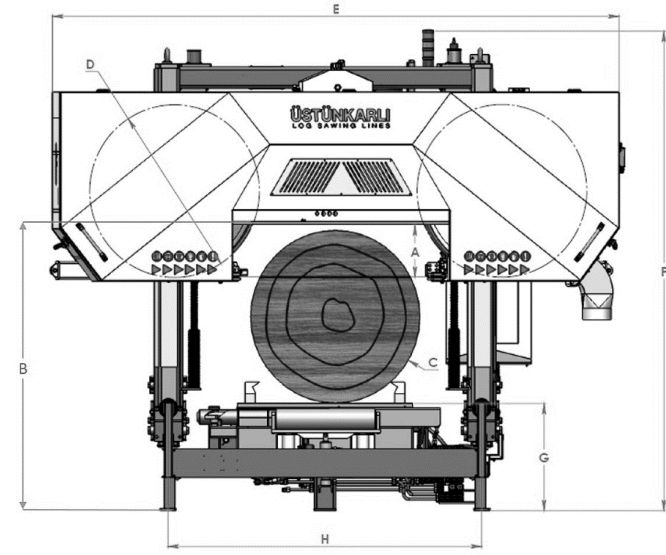
- * Hydraulic blade tensioning, automatic tension regulation
- * Two side hydraulic move blade guides



- * hydro motor driven log rotating arms 2 pcs
- * Hydraulic system
- * 90° motion



- * Double acting cylinder log clamping hooks 3pcs
- * Hydraulic system
- * Movement left-right

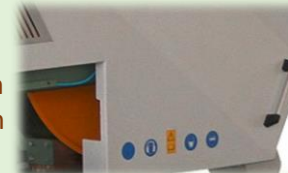


A	B	C	D	E	F	G	H
360	2310	1200	1200	4000	3350	745	2220

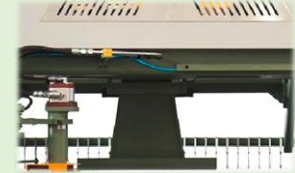
- * 3 rollers for positioning logs
- * Up down movement



- * Automatic saw wheel brake system
- * Pneumatic system



- * Hydraulic up-down move arm for separating cut boards on to the transporter



- * Hydraulic system
- * Movement up-down, left-right
- * Log support arms 3pcs



- * Remote control operating panel
- * Joystick control with 6 function buttons
- * Digital system for machine control and encoder for height positioning, memory for measured thickness, 50 optimizing cut programs for different diameters and widths



Optional Equipment

- * Output Belt Conveyor 3 meters
- * Transversal Conveyor with Log Loading System
- * Scoring Unit
- * Laser for visualizing the planks before sawing



For your projects, we invite you to contact our sales team

sales@ustunkarli.com
www.ustunkarli.com